

# DUPLEX FILTER F625

## Application

The Duplex Filter F625 is a multi-purpose filter for liquid media. It is characterized by continuous operation during the cleaning phase as well as a high degree of filtration down to very low microns.

The degree of contamination can be optionally monitored with various differential pressure indicators. Further options, for example magnetic inserts or the sacrificial anode enable an application-specific customization.

## Function

The Duplex Filter consists of two single filters which are connected via two-way ball valves with L-shaped drilling and can be operated alternately. The standard filter design consists of a welded housing and a cover which is fixed with bolts and nuts. Venting devices in the covers and draining devices in the housing are included in the scope of supply.

The filter is equipped with a basket or ring-type strainer. The medium to be filtered flows through the strainer from the inside to the outside. The strainer is made out of a perforated plate which can be covered optionally with mesh in different mesh sizes.



## Technical Data

In- / outlet:	DN25 – DN65
Operating medium:	Fluids
Volume flow:	max. 30 m <sup>3</sup> /h
Design pressure:	16 bar

Components	Standard	Customized
Strainer:	Basket strainer	Ring-type strainer
Grade of filtration:	80 – 1000 µm (fabric / perforated plate) ≥ 1 mm (perforated plate)	10 – 60 µm acc. customer's specification
Filter cover:	Cover with bolts and nuts	acc. customer's specification
Drainage and ventilation:	Screw (stainless steel)	Ball valve, acc. customer's specification
Connection:	Flange acc. DIN EN 1092-1/11/B1	acc. customer's specification

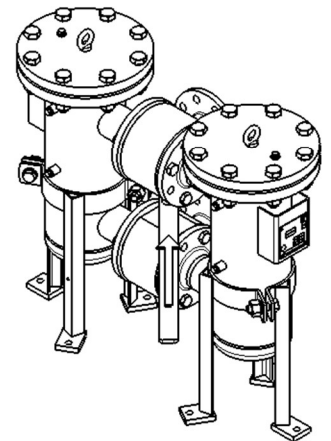
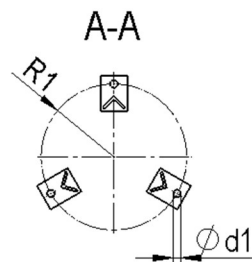
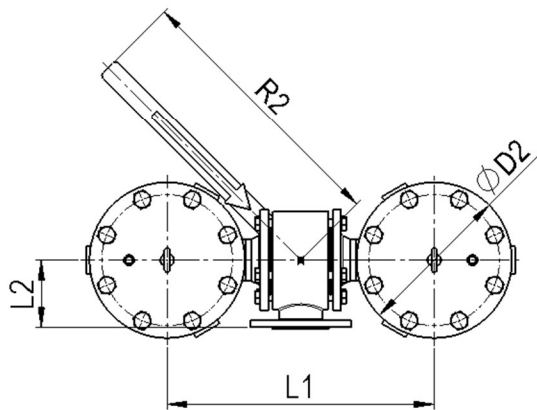
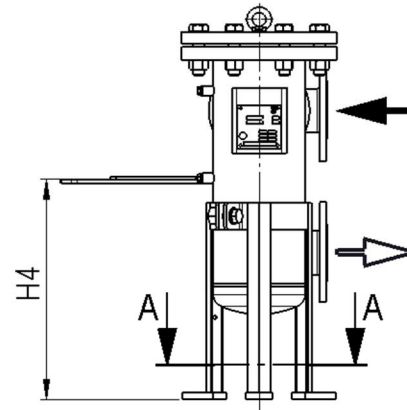
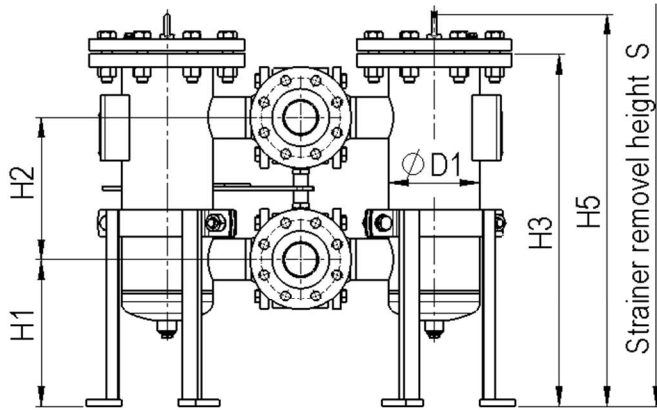
Materials		
Housing and cover:	1.4541 / 1.4571	P235GH / P265GH, 1.4571
Cover gasket:	NBR	EPDM, FPM, PTFE
Strainer (perforated plate / fabric):	1.4301, 1.4301 / 1.4401	1.4571, 1.4571 / 1.4401, brass / bronze, Hastelloy C4

Surface Treatment			
Housing inside:	Stainless steel	Glass bead blasted; primed and passivated	acc. customer's specification
	Carbon Steel	Preservative oil	acc. customer's specification
Housing outside:	Stainless steel	Glass bead blasted; primed and passivated	acc. customer's specification
	Carbon Steel	Synthetic enamel RAL5018	acc. customer's specification

Options
Differential pressure indicator (optical / electrical), sacrificial anode, filter support, magnetic insert

Further options and customer specific solutions are available upon request.

# DUPLEX FILTER F625



DN	PN	ØD1	ØD2	H1		H2	H3		H4	H5		L1	L2	R1	R2	Ød1	S	Volume	Flow capacity	Filter surface	Weight
				Min	Max		Min	Max		Min	Max										
	bar	mm	mm	mm	mm	mm	mm	mm	mm	mm	mm	mm	mm	mm	mm	mm	dm <sup>3</sup>	m <sup>3</sup> /h	cm <sup>2</sup>	ca.kg	
50/25	16	114	220	255	280	230	585	610	680	655	680	318	86	106	500	14	1030	4	4,5	510	78
50/32	16	114	220	255	280	230	585	610	680	655	680	318	86	106	500	14	1030	4	7	510	78
50/40	16	114	220	255	280	230	585	610	680	655	680	318	86	106	500	14	1030	4	12	510	78
50/50	16	114	220	255	280	230	585	610	680	655	680	354	115	106	500	14	1030	4	18	510	78
65	16	168	285	240	270	260	616	645	404	690	719	490	150	134	500	14	1121-1150	10	30	950	130

Larger filter sizes, higher operating pressures as well as further customer specific designs and features are available upon request. The above mentioned flow capacity is valid for inlet velocities of 2,5 m/s in pressure pipes, a viscosity of 1 mPas (water) a grade of filtration ≥ 80 µm. For suction pipes we recommend half of the above mentioned flow capacity values.