

DUPLEX FILTER F605

Application

The Duplex Filter F605 is a multi-purpose filter for liquid media. It is characterized by continuous operation during the cleaning phase as well as a high degree of filtration down to very low microns. As a special feature the maintenance and strainer access can be optimized by choosing different filter cover solutions.

The degree of contamination can be optionally monitored with different differential pressure indicators. Further options, for example magnetic inserts or the sacrificial anode enable an application-specific customization.

Function

The Duplex Filter consists of two single filters which are connected via two-way ball valves with L-shaped drilling and can be operated alternately. The standard filter design consists of a welded housing and a cover which is fixed with bolts and nuts. Venting devices in the covers and draining devices in the housing are included in the scope of supply. The filter is equipped with a basket or ring-type strainer. The medium to be filtered flows through the strainer from the inside to the outside. The strainer is made out of a perforated plate which can be covered optionally with mesh in different mesh sizes.



Technical Data

In- / outlet:	DN25 – DN100
Operating medium:	Fluids
Volume flow:	max. 70 m ³ /h
Design pressure:	16 bar

Components	Standard	Customized
Strainer:	Basket strainer	Ring-type strainer
Grade of filtration:	80 – 1000 µm (fabric / perforated plate) ≥ 1 mm (perforated plate)	10 – 60 µm acc. customer's specification
Filter cover:	Cover with bolts and nuts	Clamp lock DN 25 – 50 Quick acting lever lock DN 50 – 100 Quick-release cross lock DN80 - 100
Drainage and ventilation:	Screw (stainless steel)	Ball valve; acc. customer's specification
Connection:	Flange acc. DIN EN 1092-1/11/B1	acc. customer's specification

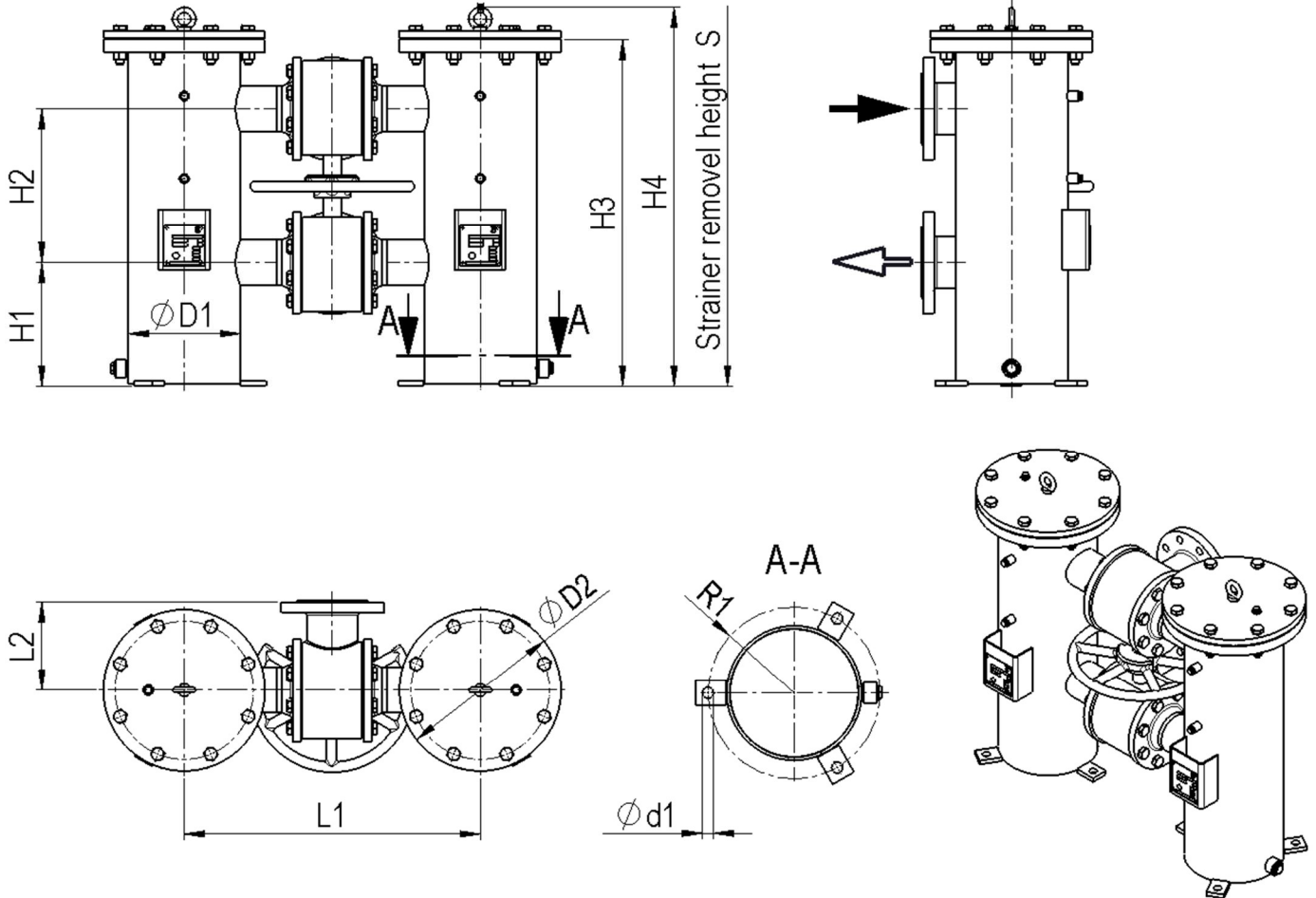
Materials		
Housing and cover:	1.4541 / 1.4571	P235GH / P265GH, 1.4571
Cover gasket:	C4400	EPDM, FPM, PTFE, NBR
Strainer (perforated plate / fabric):	1.4301, 1.4301 / 1.4401	1.4571, 1.4571 / 1.4401, brass / bronze, Hastelloy C4

Surface Treatment			
Housing inside:	Stainless steel	Glass bead blasted; primed and passivated	acc. customer's specification
	Carbon Steel	Preservative oil	acc. customer's specification
Housing outside:	Stainless steel	Glass bead blasted; primed and passivated	acc. customer's specification
	Carbon Steel	Synthetic enamel RAL5018	acc. customer's specification

Options		
Differential pressure indicator (optical / electrical), sacrificial anode, filter support, magnetic insert		

Further options and customer specific solutions are available upon request.

DUPLEX FILTER F605



DN	PN	ØD1	ØD2	H1	H2	H3	H4	L1	L2	R1	Ød1	S	Volume	Flow capacity	Filter surface		Weight
															BS*	RS*	
	bar	mm	mm	mm	mm	mm	mm	mm	mm	mm	mm	mm	dm ³	m ³ /h	cm ²	cm ²	ca.kg
25	16	76	165	95	155	325	383	268	93	68	14	630	1	4,5	180	-	30
50	16	114	200	125	210	420	595	358	149	87	14	830	4,5	18	500	760	60
80	16	219	315	240	300	675	740	575	155	140	18	1370	24	45	1850	2950	180
100	16	219	315	265	345	770	835	606	175	140	18	1560	25	70	2100	3300	220

- * BS = Basket strainer
- * RS = Ring-type strainer

Switchover up to DN50 via lever, from DN80 via hand wheel.

Larger filter sizes, higher operating pressures as well as further customer specific designs and features are available upon request.

The above mentioned flow capacity is valid for inlet velocities of 2,5 m/s in pressure pipes, a viscosity of 1 mPas (water) and a grade of filtration ≥ 80 µm. For suction pipes we recommend half of the above mentioned flow capacity values.